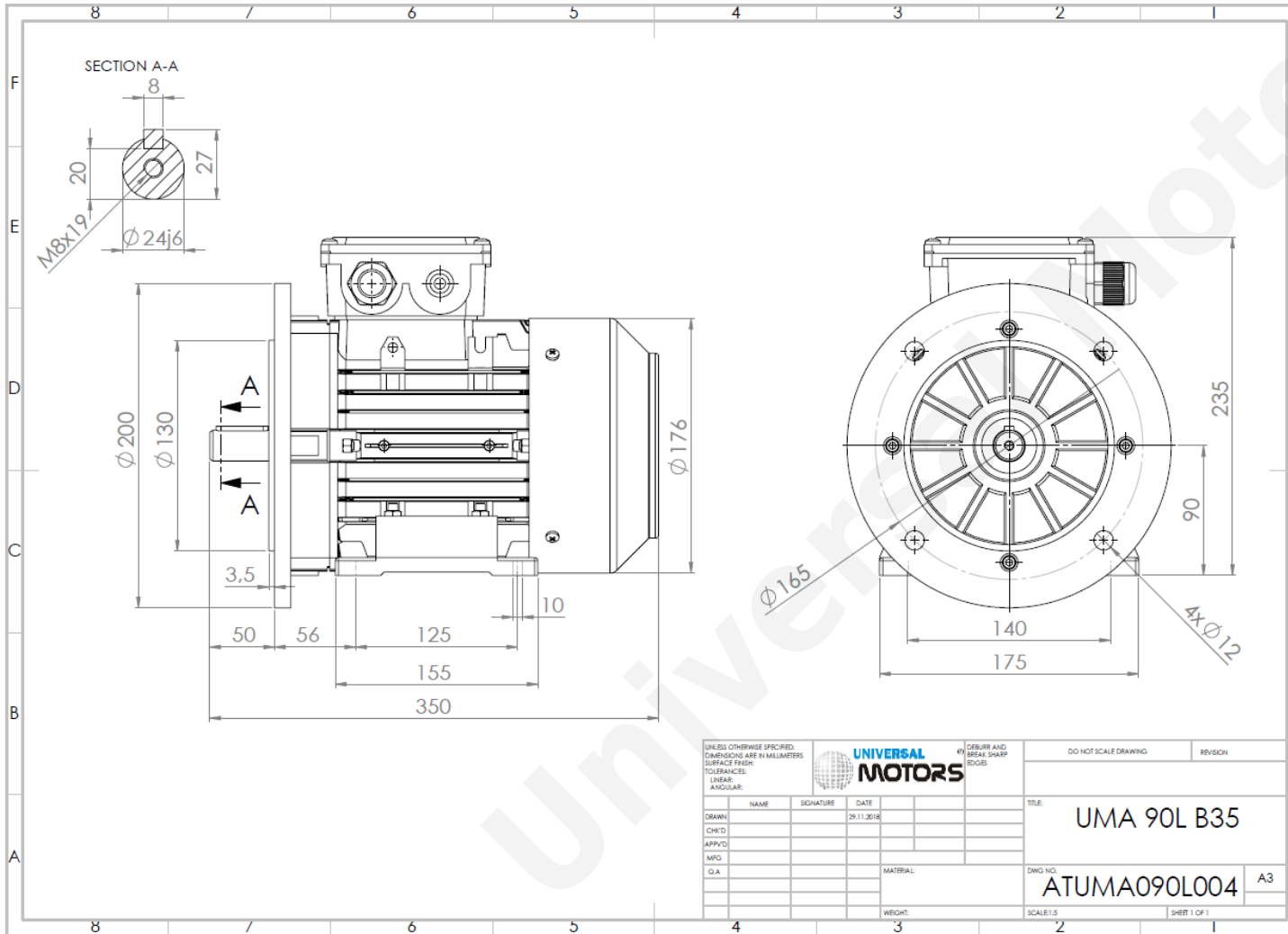




TECHNICAL DATA

Three Phase Electric Motors - Aluminum Frame
 UM3A 90L2-2 IE3
 3 kW / 4 Cv
 RPM



Motor type:	UM3A 90L2-2 IE3
Output:	3 kW / 4 Cv
Frequency:	50 Hz
Voltage:	400 V
Current:	6.21 A
Power factor (Cos Ø):	0.80
Poles:	2
Insulation class:	F
Temperature rise Class:	B
Efficiency 50%:	84.2 %
Efficiency 75%:	87.1 %
Efficiency 100%:	87.1 %
Torque:	9.9 N.m
Tstarting/Tnominal:	4.0
Istarting/Inominal:	9.6
Tmaximum/Tnominal:	4.1
Noise:	74 Db(A)
Weight:	18.5 Kg
Brake AC:	AC4
Torque Brake DC:	16 N.m
Bearing DE:	6205 2Z
Bearing NDE:	6205 2Z
Torque Brake AC:	20 N.m
Brake DC:	REB-05-10

UNLESS OTHERWISE SPECIFIED: DIMENSIONS ARE IN MILLIMETERS SURFACE FINISH: TOLERANCES: LINEAR: ANGULAR:				UNIVERSAL MOTORS		DO NOT SCALE DRAWING		REVISION	
NAME	SIGNATURE	DATE		TITLE:					
DRAWN		29.11.2018		UMA 90L B35					
CHK'D				DWG NO.:		ATUMA090L004		A3	
APP'VD				MATERIAL:					
MRG				WEIGHT:					
Q.A.				SCALE:1:1				SHEET 1 OF 1	

Regime - S1

Altitude - 1000m

Environment Temperature - 40°C

CONTACTS:

UNIVERSAL MOTORS Tel: +351 252 299 080
 Rua de São Brás,745 Fax: +351 252 299 089
 4480-782 VILA DO CONDE Mail: geral@universalmotors.pt

* References applied only in the UK